

Heavy Duty E-Series Index Drives

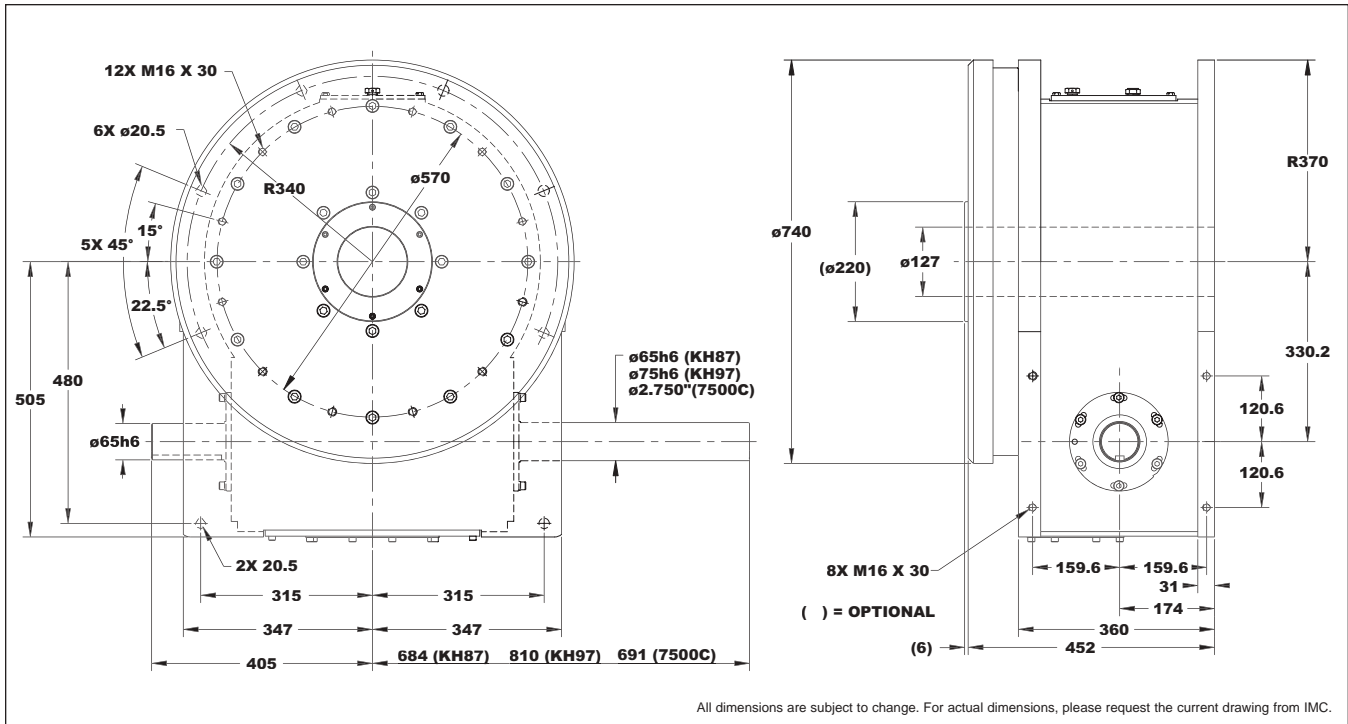


Features

The E-Series Index Drive is ideal for heavy-duty rotary dial applications with features including:

- ◆ Large output mounting surface supported by a 4-point contact bearing superior thrust and moment capacity
- ◆ Large center thru hole to accommodate stationary center post, electrical wiring and air or hydraulic lines
- ◆ Complete motorized drive package with reducer and brake-motor combinations to suit most applications
- ◆ Precision cam with preloaded cam followers for maximum accuracy
- ◆ Durable welded steel housing
- ◆ Preloaded "center rib" design for smooth acceleration and deceleration with precision positioning

750E



750E Indexer Capacities

Stops (S)	Index Period (β)	Motion	B ₁₀ Capacity at 50 RPM (in-lb)	Internal Inertia (lb-in ²)	Model
2	330	msc.33	48,321	51,904	750E2H80-330
3	330	msc.50	84,296	52,588	750E3H80-330
4	330	msc.12	78,632	52,588	750E4H80-330
5	330	ms	75,358	52,246	750E5H80-330
6	330	ms	88,898	52,588	750E6H80-330
7	330	ms	113,457	52,929	750E7H80-330
8	330	ms	123,325	53,271	750E8H80-330
10	330	ms	76,199	52,246	750E10H80-330
12	330	ms	87,350	52,588	750E12H80-330
16	330	ms	132,131	53,271	750E16H80-330
24	330	ms	116,378	52,588	750E24H80-330

Other Motions (stops and index periods) available. Contact your IMC sales representative for more information.

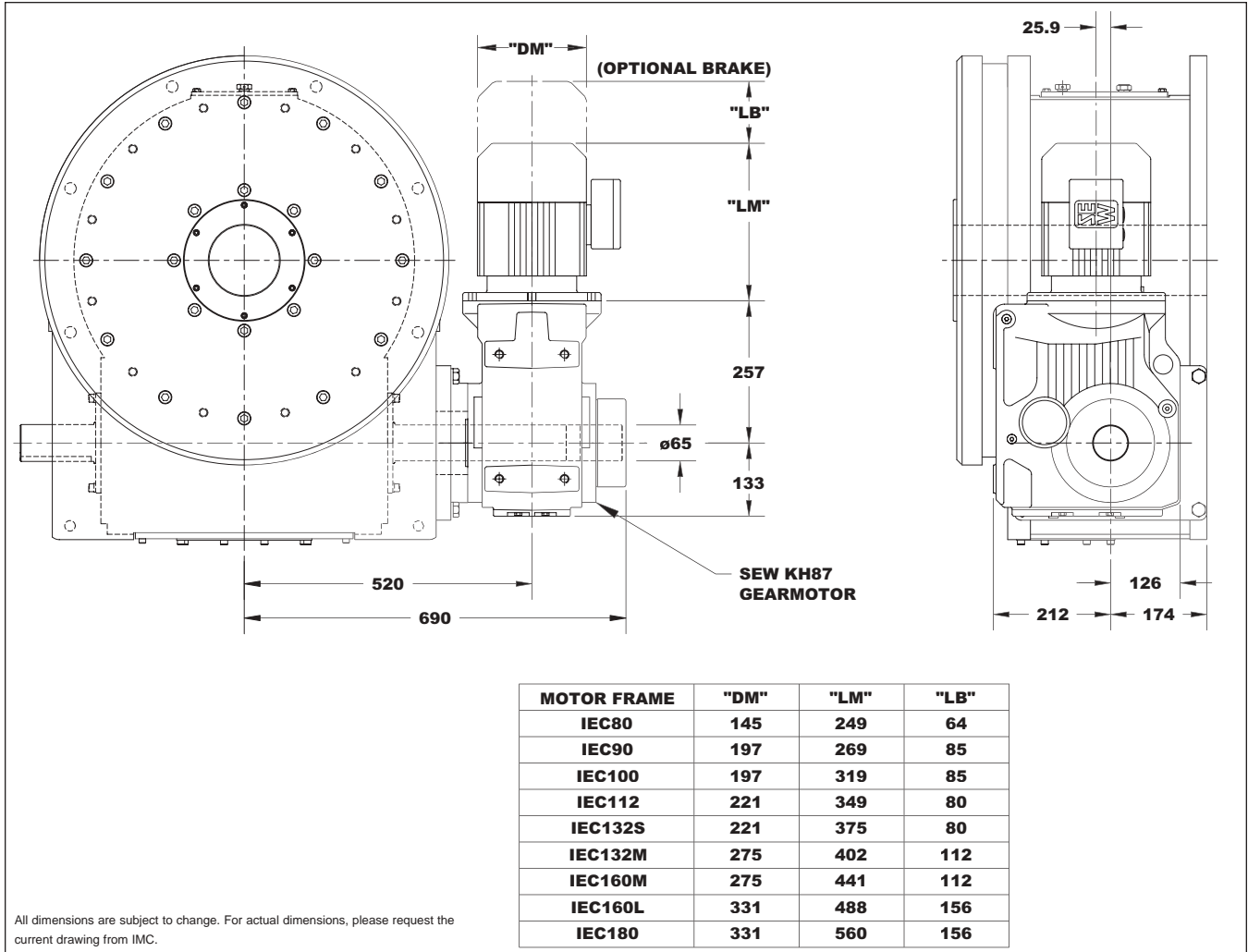
Technical Specifications

Output Load Capacity – loads carried during index

Radial	29,200 lbs
Thrust/Axial	42,000 lbs
Moment	419,500 in-lb

Typical Application Dial Diameter: 55 in. to 110 in.

Accuracy	± 27 arcsec / $\pm .002"$ at 15" radius
Repeatability	± 13 arcsec / $\pm .0009"$ at 15" radius



Standard Package

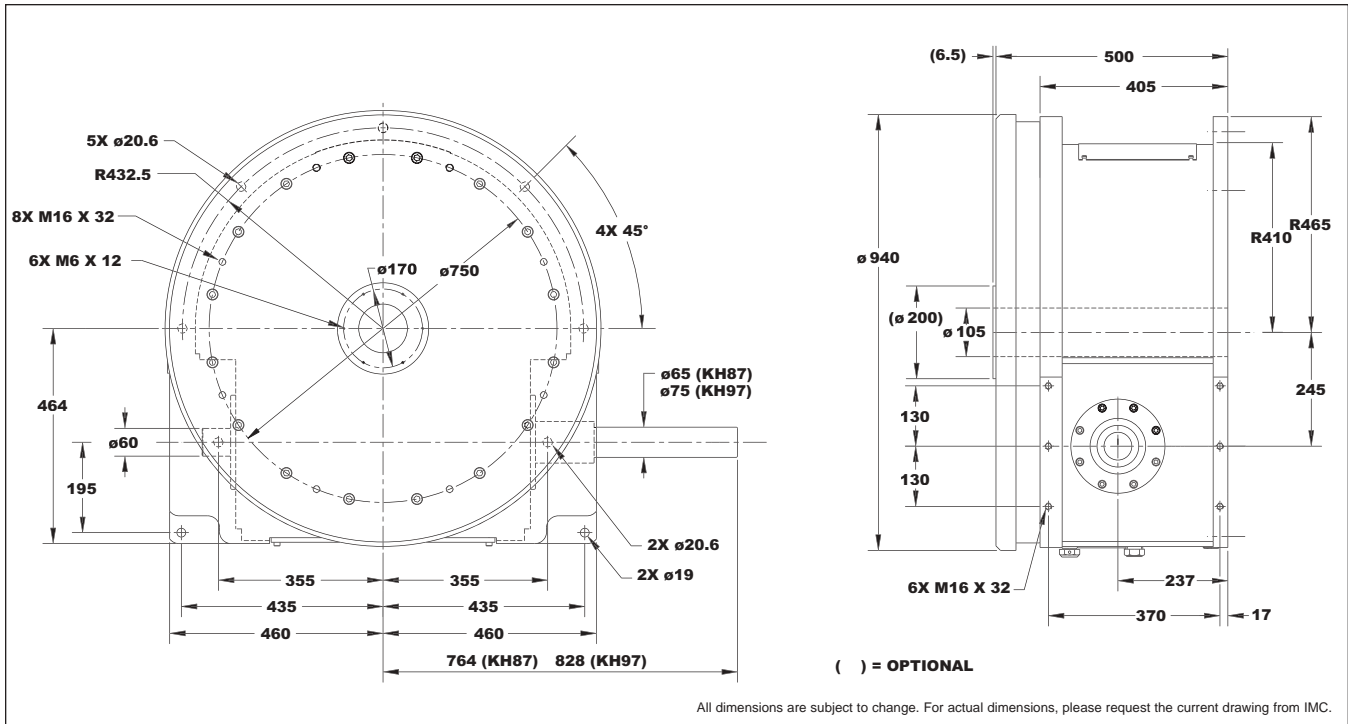
750E Indexer with

- ◆ KH87 Gear Reducer with Brake-motor
- ◆ Double Extended Camshaft (Input shaft)
- ◆ Center Thru Hole (127 mm)
- ◆ Cycle Cam & limit Switch
- ◆ Right Hand Cam

Optional Accessories

- ◆ Left Hand Cam
- ◆ Relief in Dwell for Shot-Pin applications
- ◆ Dual Cam & limit Switch
- ◆ KH97 Gear Reducer with Brake-motor
- ◆ Digi-Dog programmable rotary Limit Switch
- ◆ Stationary Center Post
- ◆ Visual Disk Dwell Indicator

950E



950E Indexer Capacities

Stops (S)	Index Period (β)	Motion	B ₁₀ Capacity at 50 RPM (in-lb)	Internal Inertia (lb-in ²)	Model
2	330	msc0.50	76,483	129,000	950E2H80-330
3	330	msc0.50	141,666	142,900	950E3H96-330
4	330	ms	115,358	142,900	950E4H96-330
6	330	msc0.33	173,199	142,900	950E6H96-330
8	330	ms	120,209	120,600	950E8H96-330
12	330	ms	156,333	142,900	950E12H96-330
16	330	ms	88,617	120,600	950E16H80-330
18	330	ms	181,002	120,600	950E18H96-330 II
24	330	ms	197,655	142,900	950E24H96-330 II

Other Motions (stops and index periods) available. Contact your IMC sales representative for more information.

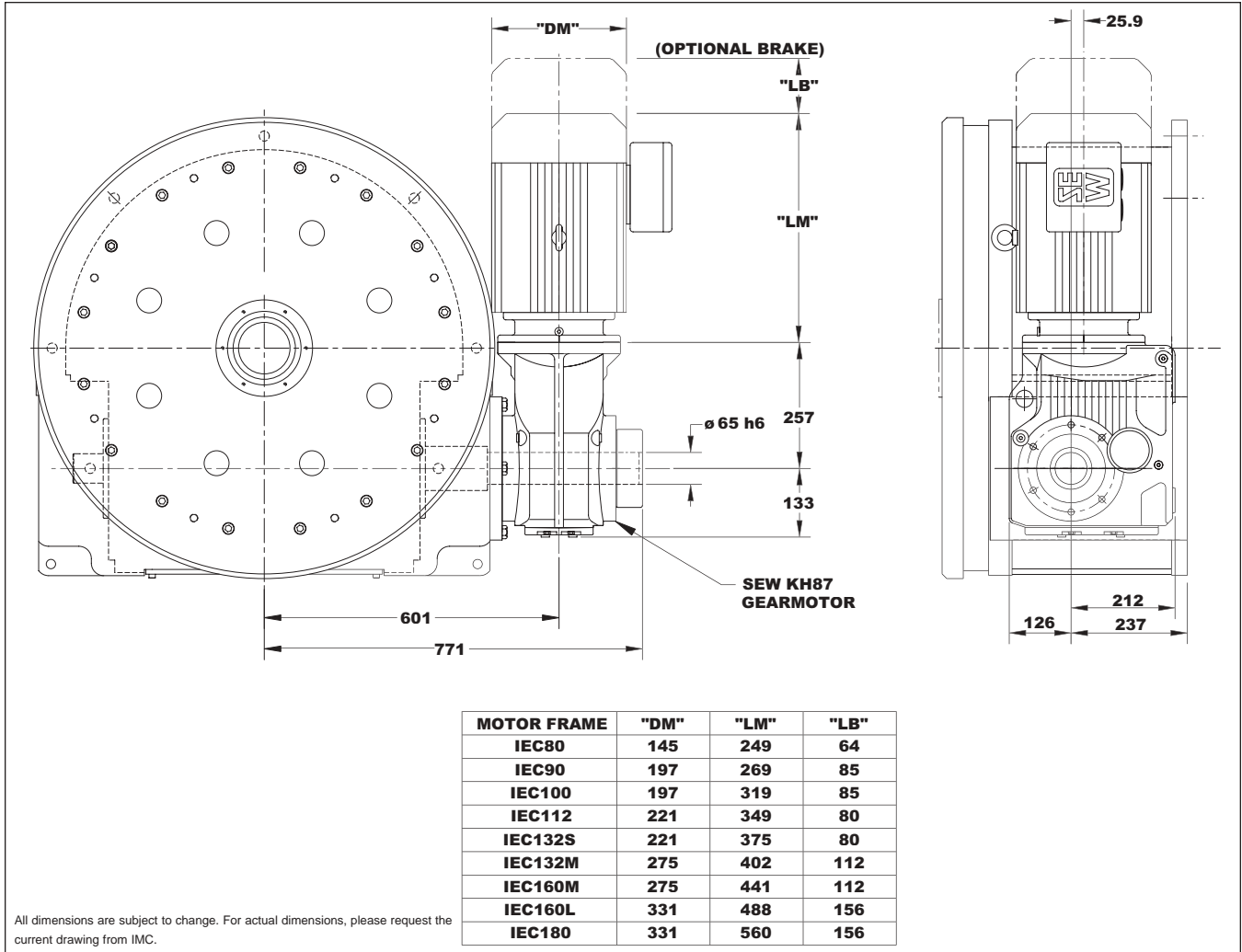
Technical Specifications

Output Load Capacity – loads carried during index

Radial	52,600 lbs
Thrust/Axial	75,850 lbs
Moment	977,500 in-lb

Typical Application Dial Diameter: 70 in. to 140 in.

Accuracy	±24 arcsec / ±.0023" at 20" radius
Repeatability	±12 arcsec / ±.0012" at 20" radius



Standard Package

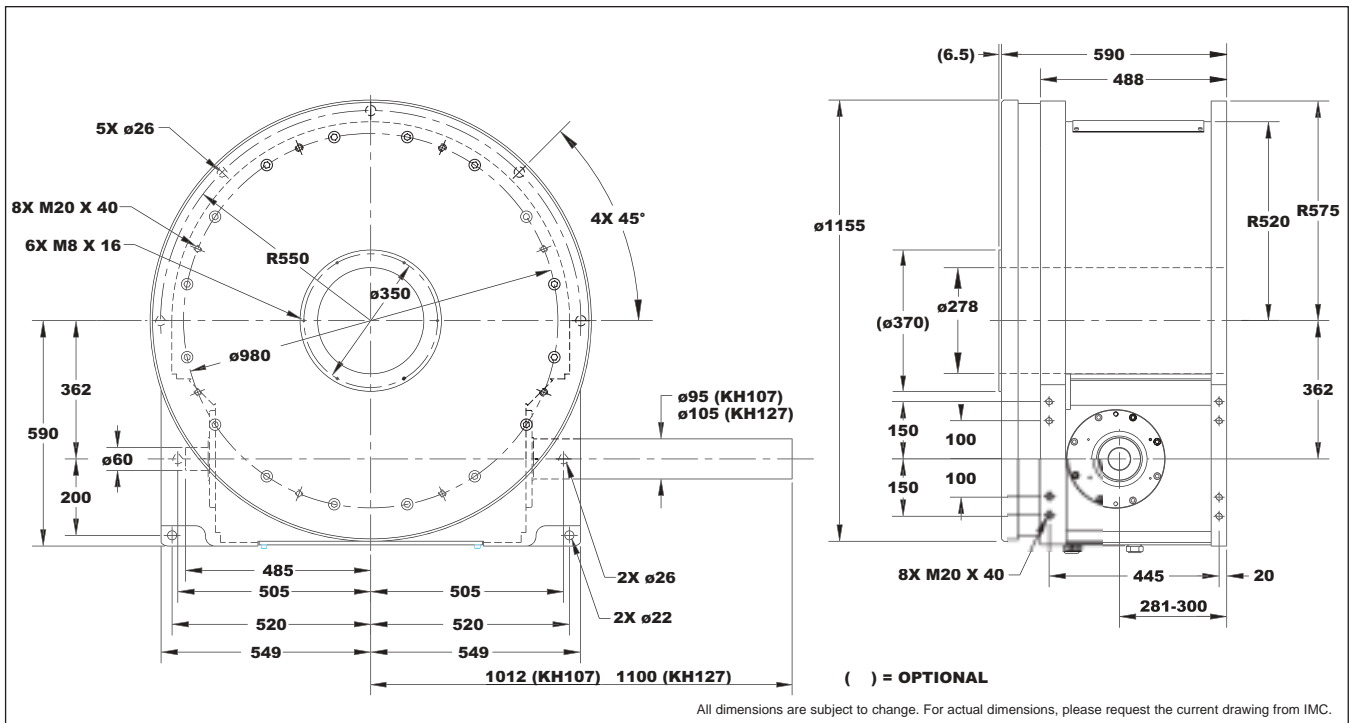
950E Indexer with

- ◆ KH87 Gear Reducer with Brake-motor
- ◆ Double Extended Camshaft (Input shaft)
- ◆ Center Thru Hole (105 mm)
- ◆ Cycle Cam & limit Switch
- ◆ Right Hand Cam

Optional Accessories

- ◆ Left Hand Cam
- ◆ Relief in Dwell for Shot-Pin applications
- ◆ Dual Cam & limit Switch
- ◆ KH97 Gear Reducer with Brake-motor
- ◆ Digi-Dog Programmable Rotary Limit Switch
- ◆ Stationary Center Post
- ◆ Visual Disk Dwell Indicator

1150E



1150E Indexer Capacities

Stops (S)	Index Period (β)	Motion	B ₁₀ Capacity at 50 RPM (in-lb)	Internal Inertia (lb-in ²)	Model
2	330	msc.33	213,286	432,900	1150E2H128-330
3	330	msc.33	347,000	457,700	1150E3H128-330
4	330	msc.33	422,631	549,900	1150E4H128-330
6	330	msc.33	501,719	549,900	1150E6H128-330
8	330	ms	403,849	713,800	1150E8H128-330
12	330	ms	471,297	549,900	1150E12H128-330
16	330	ms	373,393	713,800	1150E16H128-330
18	330	ms	391,863	546,720	1150E18H128-330
24	330	ms	594,610	549,900	1150E24H128-330 II

Other Motions (stops and index periods) available. Contact your IMC sales representative for more information.

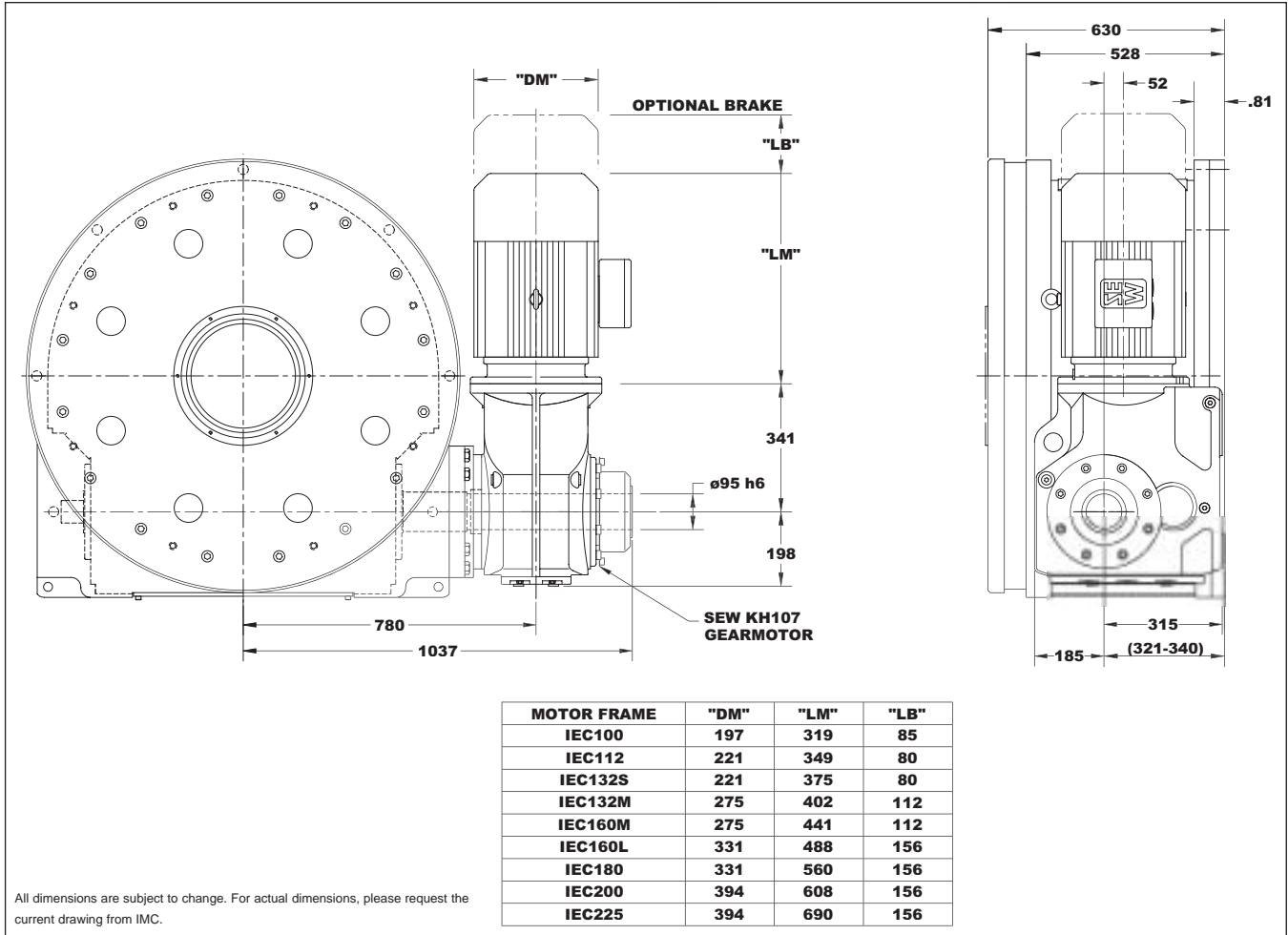
Technical Specifications

Output Load Capacity – loads carried during index

Radial	59,025 lbs
Thrust/Axial	85,470 lbs
Moment	1,409,000 in-lb

Typical Application Dial Diameter: 90 in. to 180 in.

Accuracy	± 16 arcsec / ± 0.002 " at 25" radius
Repeatability	± 8 arcsec / ± 0.001 " at 25" radius



Standard Package

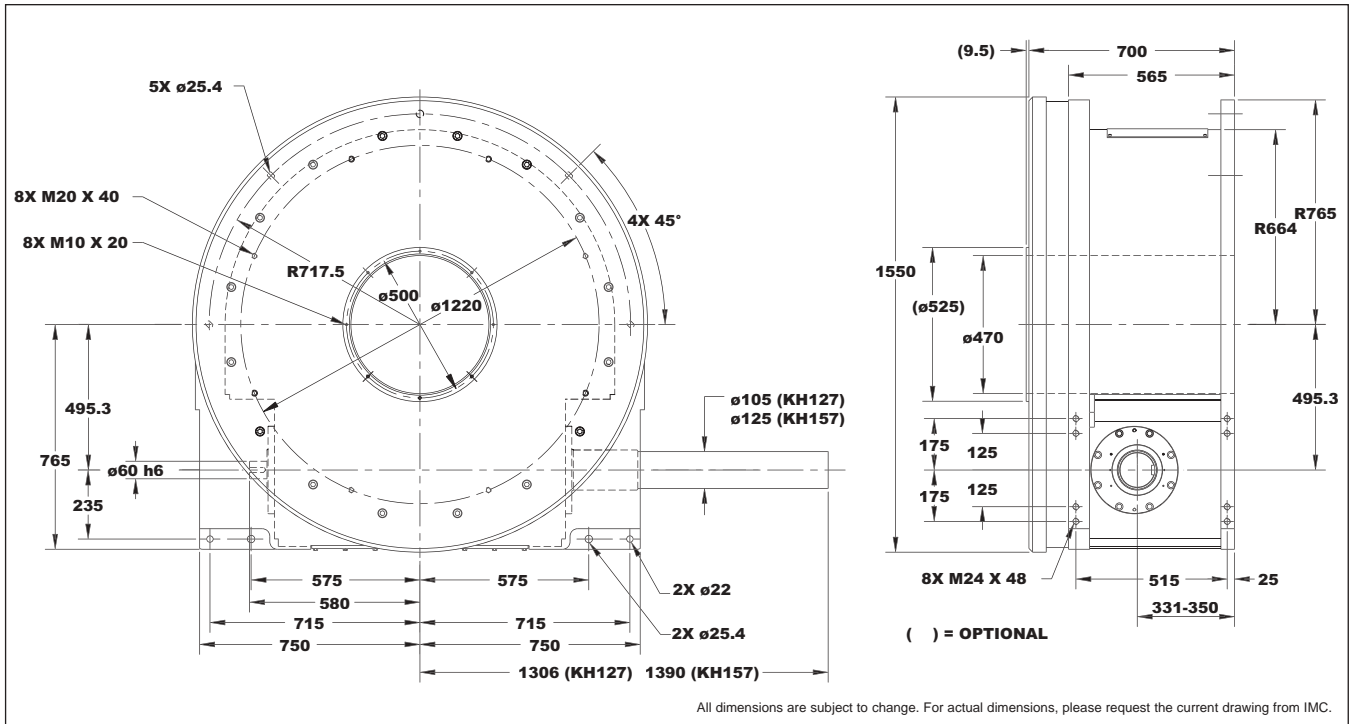
1150E Indexer with

- ◆ KH107 Gear Reducer with Brake-motor
- ◆ Double Extended Camshaft (Input shaft)
- ◆ Center Thru Hole (278 mm)
- ◆ Cycle Cam & limit Switch
- ◆ Right Hand Cam

Optional Accessories

- ◆ Left Hand Cam
- ◆ Relief in Dwell for Shot-Pin applications
- ◆ Dual Cam & limit Switch
- ◆ KH127 Gear Reducer with Brake-motor
- ◆ Digi-Dog Programmable Rotary Limit Switch
- ◆ Stationary Center Post
- ◆ Visual Disk Dwell Indicator

1550E



1550E Indexer Capacities

Stops (S)	Index Period (β)	Motion	B ₁₀ Capacity at 50 RPM (in-lb)	Internal Inertia (lb-in ²)	Model
2	330	msc0.50	334,268	1,860,966	1550E2H128-330
3	330	msc0.50	500,271	2,098,100	1550E3H128-330
	300	msc0.67	550,816	2,098,100	1550E3H128-300
4	330	msc0.33	908,469	2,098,300	1550E4H160-330
6	330	ms	943,089	2,098,300	1550E6H160-330
8	330	msc0.33	812,799	2,414,700	1550E8H160-330
12	330	ms	1,046,026	2,098,300	1550E12H160-330
16	330	ms	761,260	2,414,700	1550E16H160-330
24	330	ms	1,297,097	2,098,300	1550E24H160-330 II
32	300	ms	1,086,935	2,414,700	1550E32H160-300 II

Other Motions (stops and index periods) available. Contact your IMC sales representative for more information.

Technical Specifications

Output Load Capacity – loads carried during index

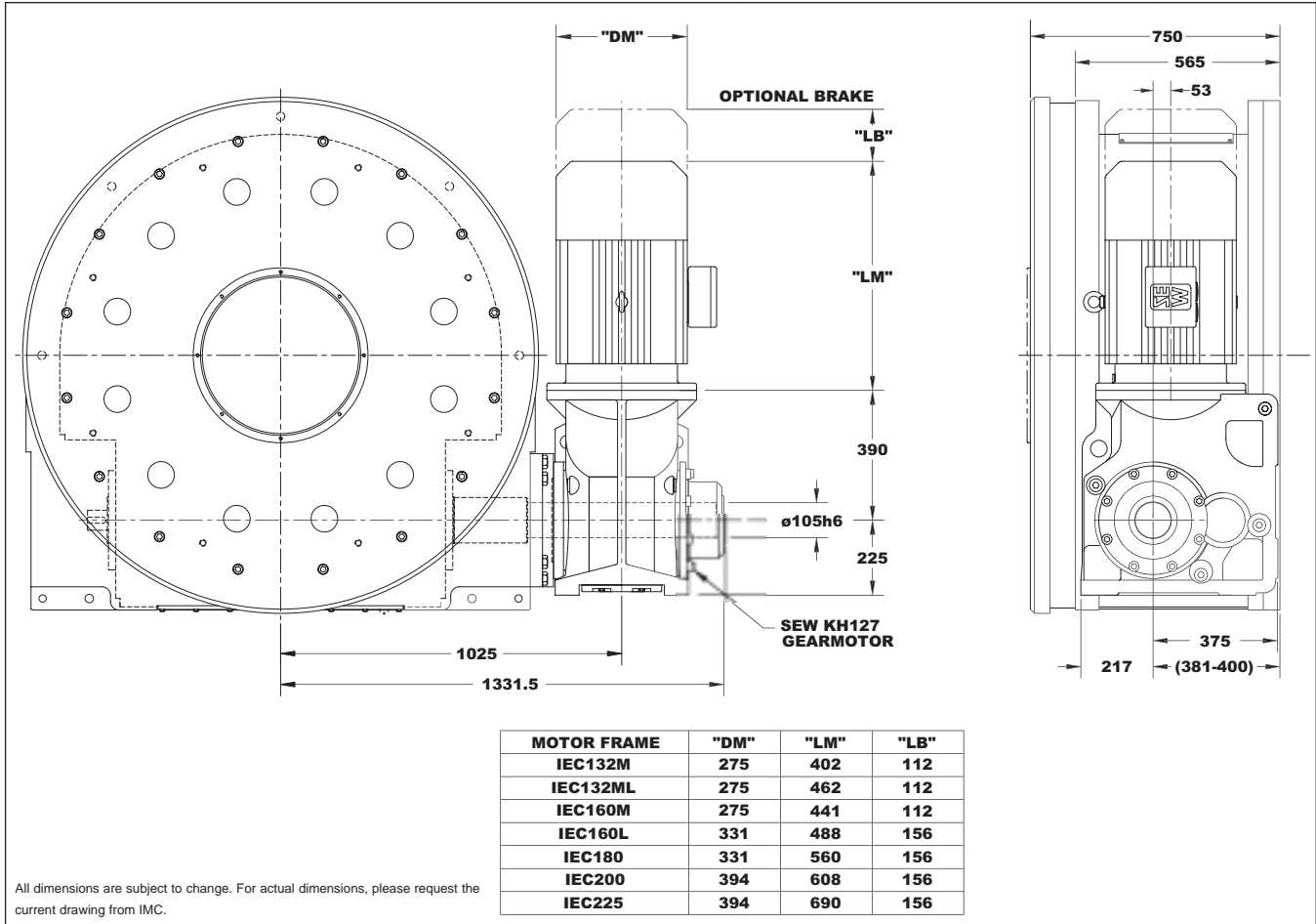
Radial	82,600 lbs
Thrust/Axial	120,000 lbs
Moment	2,904,000 in-lb

Typical Application

Dial Diameter: 118 in. to 236 in.

Accuracy ± 24 arcsec / $\pm 0.0035''$ at 30" radius

Repeatability ± 6 arcsec / $\pm 0.0009''$ at 30" radius



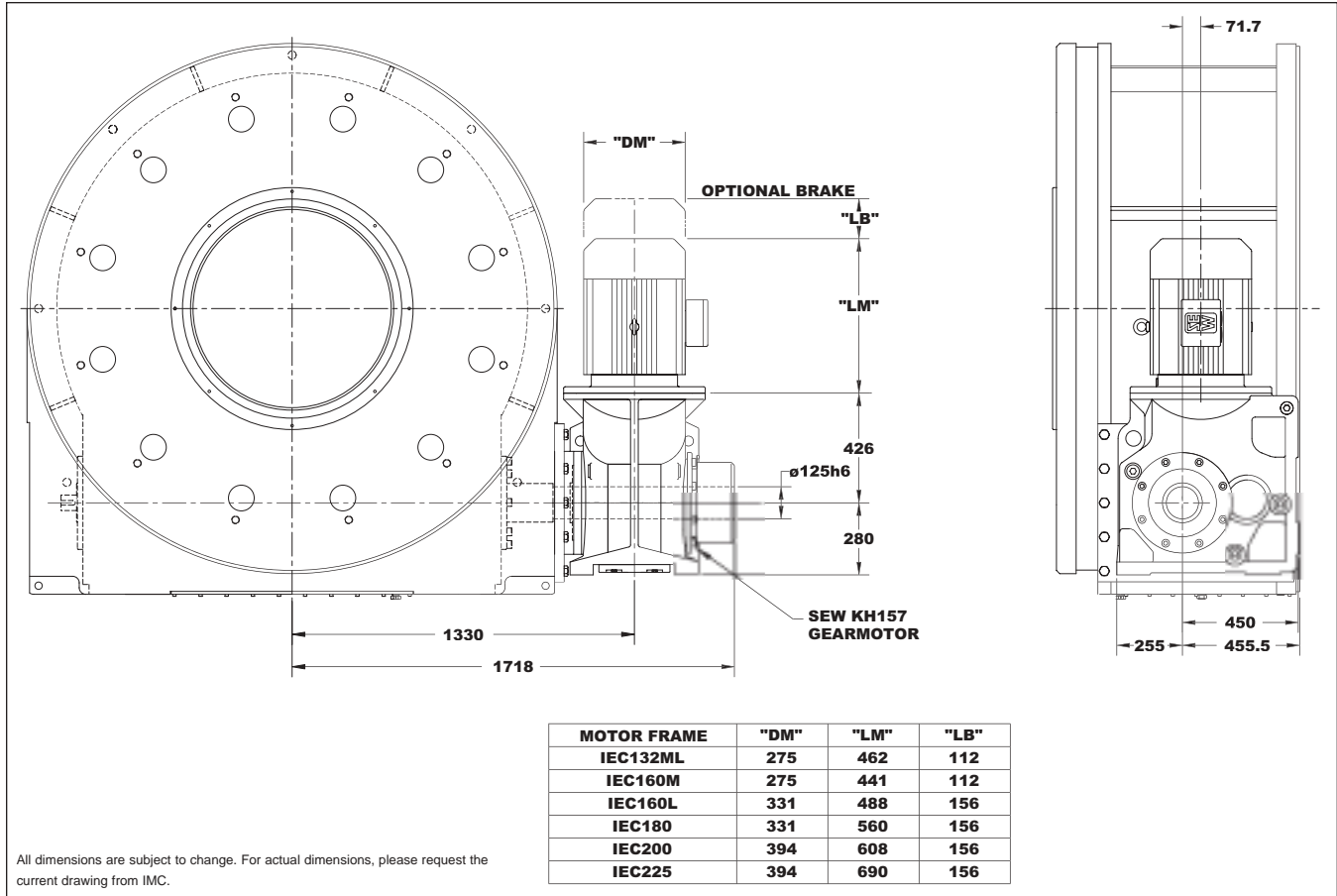
Standard Package

1550E Indexer with

- ◆ KH127 Gear Reducer with Brake-motor
- ◆ Double Extended Camshaft (Input shaft)
- ◆ Center Thru Hole (470 mm)
- ◆ Cycle Cam & limit Switch
- ◆ Right Hand Cam

Optional Accessories

- ◆ Left Hand Cam
- ◆ Relief in Dwell for Shot-Pin applications
- ◆ Dual Cam & limit Switch
- ◆ KH157 Gear Reducer with Brake-motor
- ◆ Digi-Dog Programmable Rotary Limit Switch
- ◆ Stationary Center Post
- ◆ Visual Disk Dwell Indicator



Standard Package

2050E Indexer with

- ◆ KH157 Gear Reducer with Brake-motor
- ◆ Double Extended Camshaft (Input shaft)
- ◆ Center Thru Hole (770 mm)
- ◆ Cycle Cam & limit Switch
- ◆ Right Hand Cam

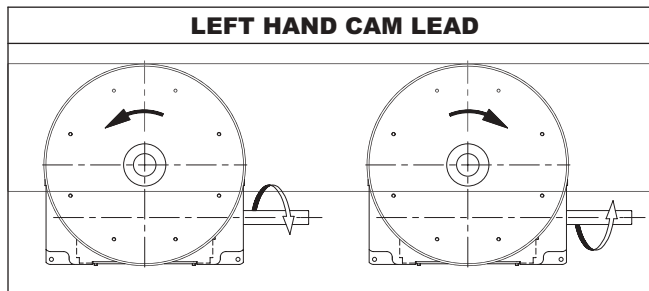
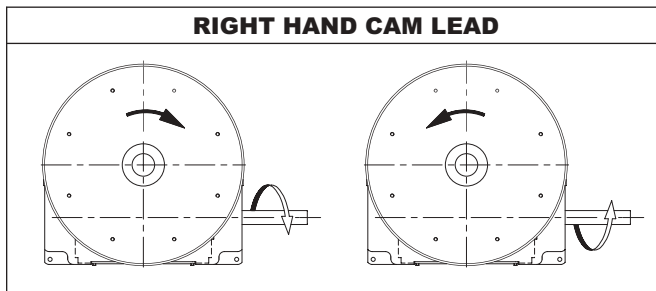
Optional Accessories

- ◆ Left Hand Cam
- ◆ Relief in Dwell for Shot-Pin applications
- ◆ Dual Cam & limit Switch
- ◆ KH167 Gear Reducer with Brake-motor
- ◆ Digi-Dog Programmable Rotary Limit Switch
- ◆ Stationary Center Post
- ◆ Visual Disk Dwell Indicator

Indexer Ordering Procedure

1. Model
2. Cam Lead (Helix)
 - ◆ Right Hand (Standard)
 - ◆ Left Hand

NOTE: Input may rotate in either direction to achieve desired direction of output rotation.



G

Reducer Ordering Procedure

1. Model
2. Ratio
3. Mounting
 - ◆ Mounting Position C or D
 - ◆ Mounted on Indexer Side 1 or Side 2
4. Input Shaft Orientation
 - ◆ Left or Right

